

Technical data



Pellematic® Compact 20 - 32kW

ENGLISH

1 Technical data

Information according to EU regulation 2015/1187 and 2015/1189

Model designation	Pellematic Compact			
	22	25	28	32
Manufacturer and contact details	ÖkoFEN Forschungs- und Entwicklungs GmbH, Gewerbepark 1, 4133 Niederkappel, Austria			
Heat-up mode	Automatically			
Condensing boiler	no			
Solid fuel boiler with cogeneration system	no			
Combined heater	no			
Energy efficiency class	A+			
Energy efficiency index (EEI)	118	118	119	119
seasonal space heating energy efficiency in active mode η_{son}	84	84	85	85
Seasonal space heating energy efficiency η_s (based on upper heating value)	81	81	82	82
Delivered useful heat at nominal heat power P_n [kW]	22	25	28	32
Delivered useful heat at 30 % of the nominal heat power P_p [kW]	7	8	8	10

Fuel	Pellets made of 100% natural wood according to EN ISO 17225-2, class A1
Colorific value [kWh/kg]	$\geq 4,6$
Bulk density [kg/m^3]	≥ 600
Water content [Gew.%]	≤ 10
Ash parts [Gew.%]	$\leq 0,7$
Length [mm]	≤ 40
Diameter [mm]	6 ± 1

Model designation	Pellematic Compact			
	22	25	28	32
Annual space heating emissions				
PM [mg/m ³]	< 40			
OGC [mg/m ³]	< 20			
CO [mg/m ³]	< 500			
NOx [mg/m ³]	< 200			
Auxiliary power consumption				
Auxiliary power consumption at nominal heat power $e_{l_{max}}$ [W]	93,5	100,6	107,7	117,1
Auxiliary power consumption at 30 % of nominal heat power $e_{l_{min}}$ [W]	23,4	27,7	32,0	37,7
Standby auxiliary power consumption P_{SB} [W]	7			
Water area				
Water capacity [l]	105			
Feed / return connection [inch]	6/4			
Feed / return connection \varnothing [DN]	40			
Water resistance at 10K [mbar]	27,9			
Water resistance at 20K [mbar]	8			
Boiler temperature [°C]	60 - 90			
Minimum boiler temperature [°C]	60			
Minimum return (boiler inlet) temperature	30			
Operating pressure maximum [Bar]	3			
Test pressure [Bar]	4,6			

Model designation	Pellematic Compact			
	22	25	28	32
Flue gas area (Flue gas = F.g.)				
Combustion chamber temperature [°C]	600 - 760			
F.g. temp. rated power standard heat. mode [°C]	110	120	130	140
F.g. temp. partial load standard heat. mode [°C]	80	90	100	110
F.g. vol. rated power at f.g.tem. standard heating mode [kg/h]	41,4	47,6	53,9	62,2
F.g. vol. partial load at f.g. tem. standard heating mode [kg/h]	14,4	15,9	17,5	19,5
F.g. vol. rated power at AGT standard heating mode [m ³ /h]	31,9	36,7	41,5	47,9
F.g. vol. partial load at AGT standard heating mode [m ³ /h]	11,1	12,3	13,5	15,0
Flue gas tube diameter (at the boiler) [mm]	129 (exterior)			
Chimney diameter	as per chimney calculation, min. 130mm			
Chimney construction	as per chimney calculation			

Weight	
Weight of boiler packaged on pallet with wooden frame [kg]	575
Weight of boiler with casing, hopper and burner [kg]	540
Gross weight without attachments, not packed [kg]	350
Ash capacity ash box [kg]	16
Volume hopper [kg]	51

Model designation	Pellematic Compact			
	22	25	28	32
Electrical Components				
Connection value	230 VAC, 50Hz, 16A			
Main Drive [W]	40			
Power consumption max. [W]	1760			
Drive Motor [W]	250 / 370			
Flue gas fan [W]	9 – 120W			
Electrical Ignition - [W]	250			
Cleaning Motor [W]	40			
Protection class	IP20			

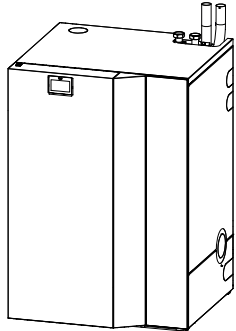
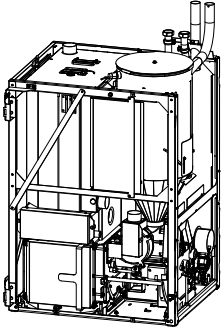
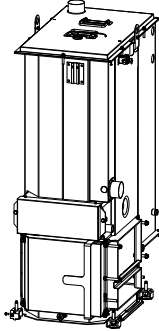


Further technical data and results of the type test available on request from your ÖkoFEN contact.

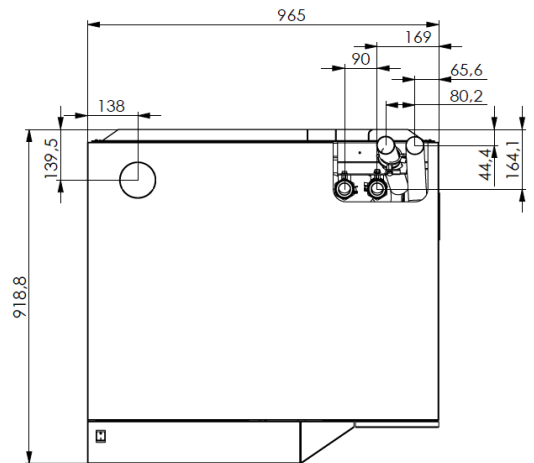
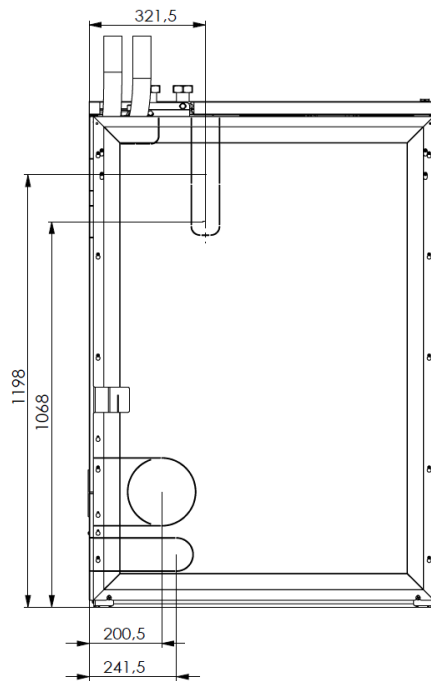
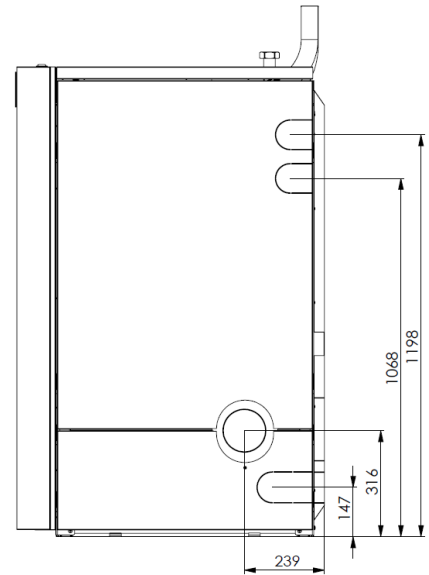
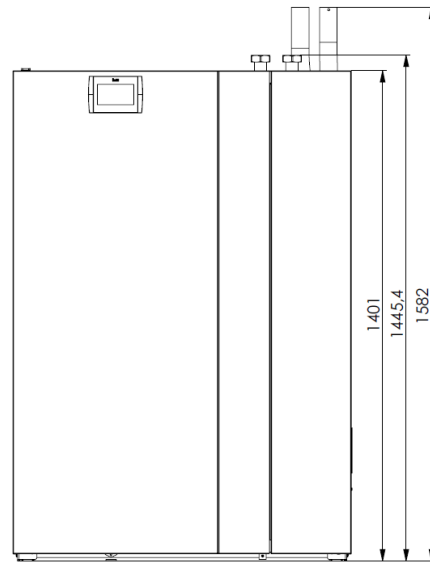
2 Notes on bringing the unit into the building

Before bringing the unit into the building, check the dimensions of all doors to ensure that the boiler has sufficient clearance and can be set up properly.

Minimum door width – max. unit dimension

Door width > 100 cm	Door width > 78 cm	Door width > 60 cm
		
<i>Dismantling of components not necessary</i>	<i>Dismantle casing</i>	<i>“Dismantle all”</i>

Boiler dimensions (mm)



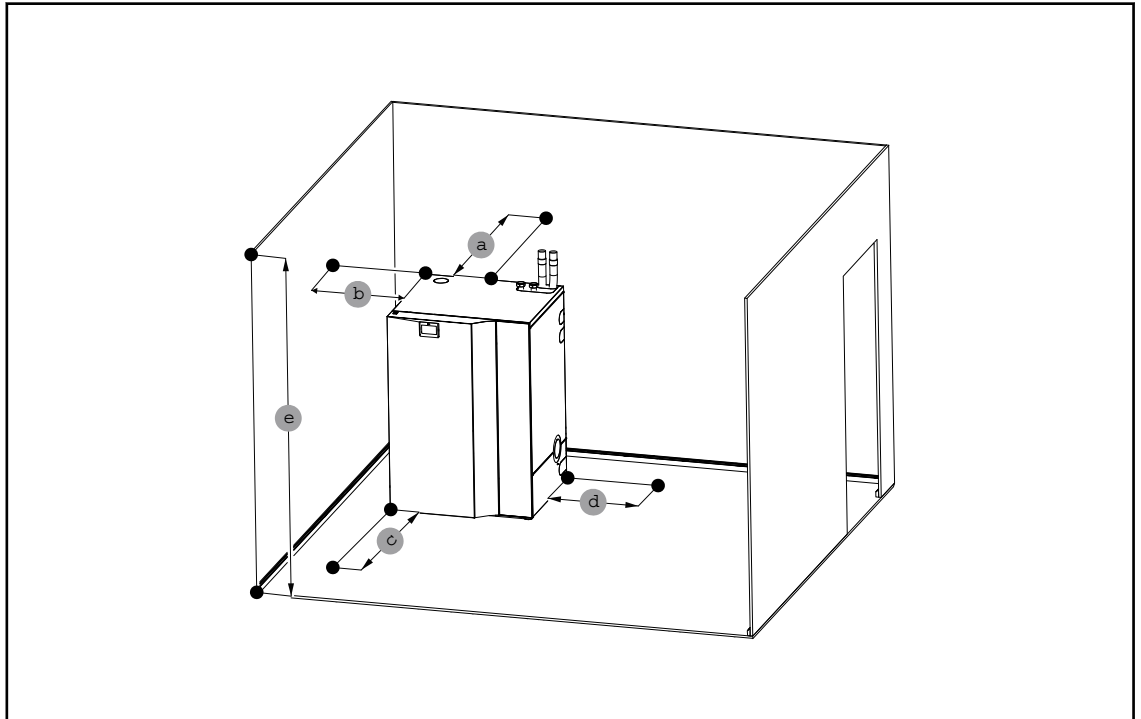
Boiler Weight

	Pellematic Compact
Weight of boiler packaged on pallet with wooden frame - kg	575
Weight of boiler with casing, hopper and burner - kg	540
Weight of boiler without casing, hopper and burner - kg	350

Minimum clearance dimensions required



To install the heating system properly and ensure economical operation, you need to make sure that minimum clearance dimensions indicated below are observed when setting up the boiler. **In addition, make sure that legislation in your country is complied with relating to the minimum clearance of the flue gas tube.**



a	Min. clearance of flue gas connection from wall or part of building	40 mm
b	Min. clearance of side of boiler from wall or part of building	40 mm
c	Min. clearance of front of boiler from wall or part of building	750 mm
d	Min. clearance of side of burner from wall or part of building	550 mm
e	Minimum ceiling height	1800 mm



Legislation in your country must be observed!

ÖkoFEN